

Model: D4SJ-3000

Data

Type: Semi-hermetic piston compressors

Producer: Copeland

Series: S

Model: D4SJ-3000

Technical data

Cylinder count:	4
Displacement [m ³ /h]:	84,7
Weight [kg]:	226
Oil charge [dm ³]:	4
Max. operating current [A]:	47,7
Locked rotor current [A]:	218
Power supply [V/~/Hz]:	400V/3/50Hz

Connections

	<u>milimeters</u>	<u>inches</u>
Suction line:		2 1/8"
Discharge line:		1 3/8"

Model: D4SJ-3000

Capacity

R22

Cooling capacity [kW]

$t_c \setminus t_e$	-25	-20	-15	-10	-5	0	5	10
10	31.83	39.77	49.25	60.47	73.62	88.87	-	-
15	29.74	37.54	46.79	57.70	70.45	85.22	-	-
20	27.70	35.33	44.33	54.90	67.22	81.49	97.88	-
25	25.71	33.14	41.87	52.07	63.94	77.67	93.45	111.45
30	23.78	30.99	39.41	49.23	60.62	73.79	88.92	106.20
35	21.91	28.88	36.97	46.37	57.27	69.85	84.31	100.84
40	20.11	26.81	34.54	43.50	53.88	65.85	79.62	95.36
45	18.39	24.79	32.15	40.64	50.47	61.81	74.85	89.79
50	16.76	22.84	29.79	37.79	47.04	57.72	70.02	84.13
55	-	-	27.47	34.95	43.60	53.59	65.12	78.38
60	-	-	-	32.14	40.16	49.44	60.17	72.55

Power input [kW]

$t_c \setminus t_e$	-25	-20	-15	-10	-5	0	5	10
10	9.20	9.69	9.98	10.01	9.75	9.16	-	-
15	9.58	10.30	10.82	11.12	11.15	10.87	-	-
20	9.97	10.89	11.65	12.20	12.51	12.54	12.24	-
25	10.36	11.48	12.45	13.25	13.83	14.14	14.16	13.84
30	10.74	12.04	13.22	14.25	15.09	15.68	16.01	16.01
35	11.10	12.58	13.96	15.21	16.28	17.15	17.77	18.09
40	11.45	13.08	14.64	16.10	17.42	18.54	19.44	20.07
45	11.76	13.54	15.28	16.94	18.47	19.85	21.02	21.94
50	12.04	13.96	15.86	17.70	19.45	21.06	22.49	23.70
55	-	-	16.37	18.39	20.34	22.17	23.85	25.34
60	-	-	-	19.00	21.14	23.18	25.10	26.85

Model: D4SJ-3000

Capacity

Current [A]

$t_c \setminus t_e$	-25	-20	-15	-10	-5	0	5	10
10	21.10	21.36	21.35	21.07	20.53	19.72	-	-
15	21.76	22.40	22.77	22.87	22.71	22.28	-	-
20	22.30	23.31	24.07	24.55	24.76	24.71	24.39	-
25	22.71	24.11	25.24	26.11	26.70	27.03	27.09	26.89
30	23.01	24.79	26.30	27.54	28.52	29.23	29.67	29.84
35	23.18	25.34	27.23	28.86	30.22	31.30	32.13	32.68
40	23.24	25.78	28.05	30.05	31.79	33.26	34.46	35.40
45	23.17	26.09	28.75	31.13	33.25	35.10	36.68	37.99
50	22.99	26.29	29.32	32.09	34.58	36.81	38.78	40.47
55	-	-	29.78	32.92	35.80	38.41	40.75	42.83
60	-	-	-	33.63	36.89	39.88	42.61	45.06

Mass flow [kg/s]

$t_c \setminus t_e$	-25	-20	-15	-10	-5	0	5	10
10	536.38	676.07	840.50	1 035.02	1 264.97	1 535.68	-	-
15	515.09	655.77	820.96	1 016.00	1 246.22	1 516.98	-	-
20	494.52	635.62	800.99	995.97	1 225.90	1 496.12	1 811.97	-
25	474.66	615.60	780.57	974.91	1 203.96	1 473.07	1 787.57	2 152.81
30	455.48	595.67	759.66	952.78	1 180.38	1 447.79	1 760.36	2 123.43
35	436.94	575.81	738.24	929.57	1 155.13	1 420.27	1 730.33	2 090.65
40	419.01	555.99	716.28	905.23	1 128.18	1 390.47	1 697.44	2 054.43
45	401.67	536.17	693.75	879.74	1 099.50	1 358.36	1 661.66	2 014.75
50	384.89	516.33	670.61	853.07	1 069.06	1 323.91	1 622.97	1 971.57
55	-	-	646.85	825.20	1 036.83	1 287.10	1 581.33	1 924.86
60	-	-	-	796.08	1 002.79	1 247.89	1 536.71	1 874.61

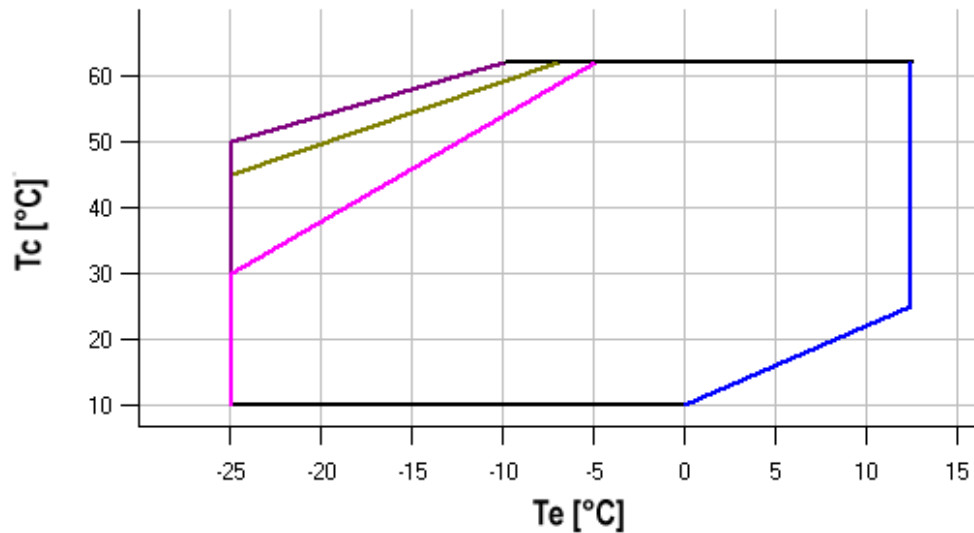
Model: D4SJ-3000

Capacity

C.O.P. [W/W]

$t_c \setminus t_e$	-25	-20	-15	-10	-5	0	5	10
10	3.46	4.10	4.94	6.04	7.55	9.71	-	-
15	3.10	3.65	4.32	5.19	6.32	7.84	-	-
20	2.78	3.24	3.80	4.50	5.37	6.50	8.00	-
25	2.48	2.89	3.36	3.93	4.62	5.49	6.60	8.05
30	2.21	2.57	2.98	3.45	4.02	4.71	5.56	6.63
35	1.97	2.30	2.65	3.05	3.52	4.07	4.75	5.57
40	1.76	2.05	2.36	2.70	3.09	3.55	4.10	4.75
45	1.56	1.83	2.10	2.40	2.73	3.11	3.56	4.09
50	1.39	1.64	1.88	2.13	2.42	2.74	3.11	3.55
55	-	-	1.68	1.90	2.14	2.42	2.73	3.09
60	-	-	-	1.69	1.90	2.13	2.40	2.70

Application range

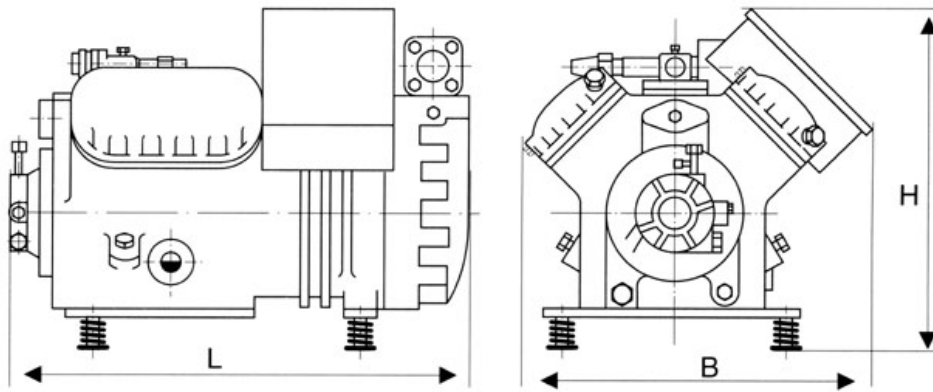


- Maximum evaporating temperature
- 25°C suction gas temperature
- 10K suction gas return + additional cooling
- 20K suction gas return

Operating conditions: ISO; subcooling: 0 K, suction superheat: 10 K, return gas temperature: -
 t_c - Condensing temperature [°C]
 t_e - Evaporating temperature [°C]

Model: D4SJ-3000

Dimensions



L	670 mm
B	490 mm
H	495 mm

Model: D4SJ-3000

Image

